

Single Axis, x



Three Axis x,y,z

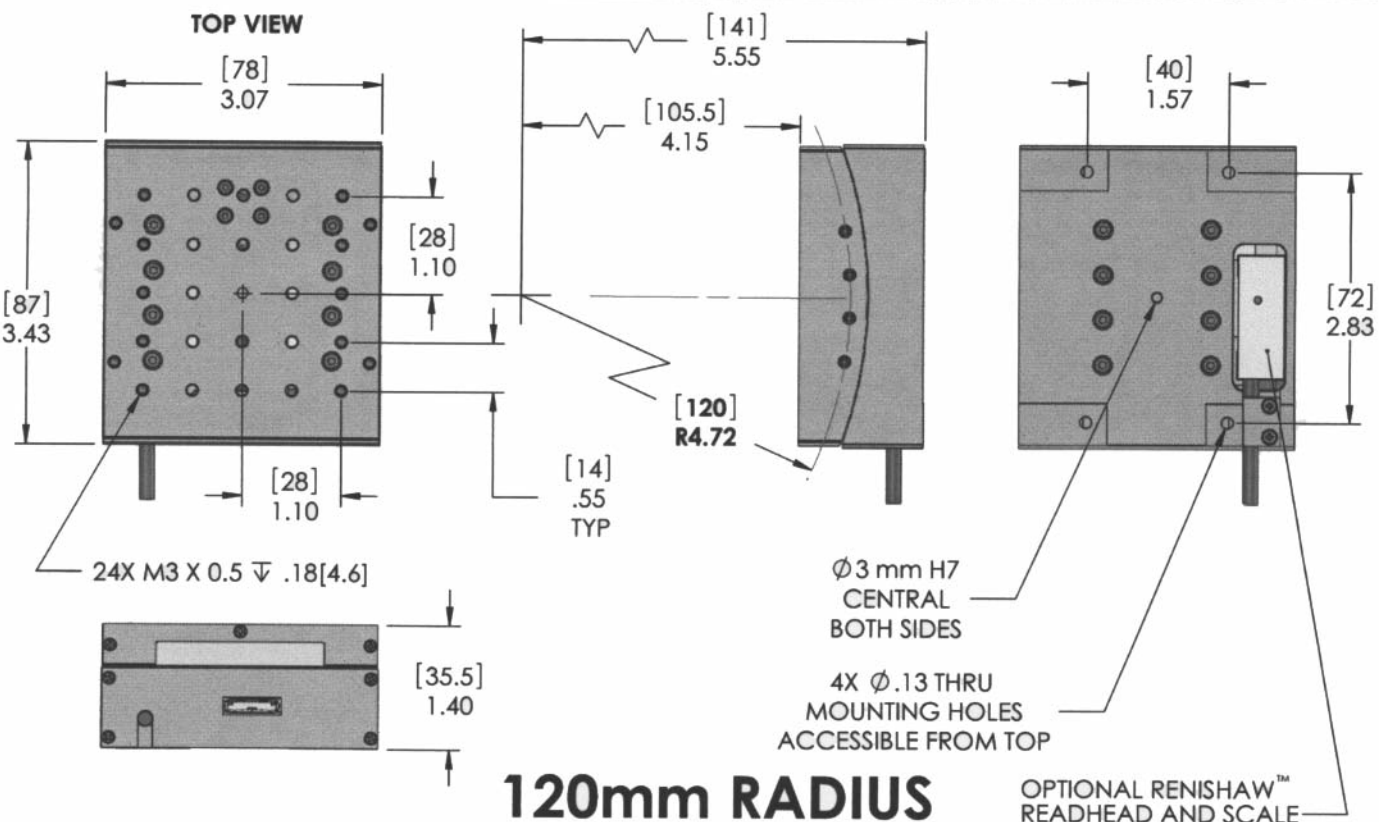
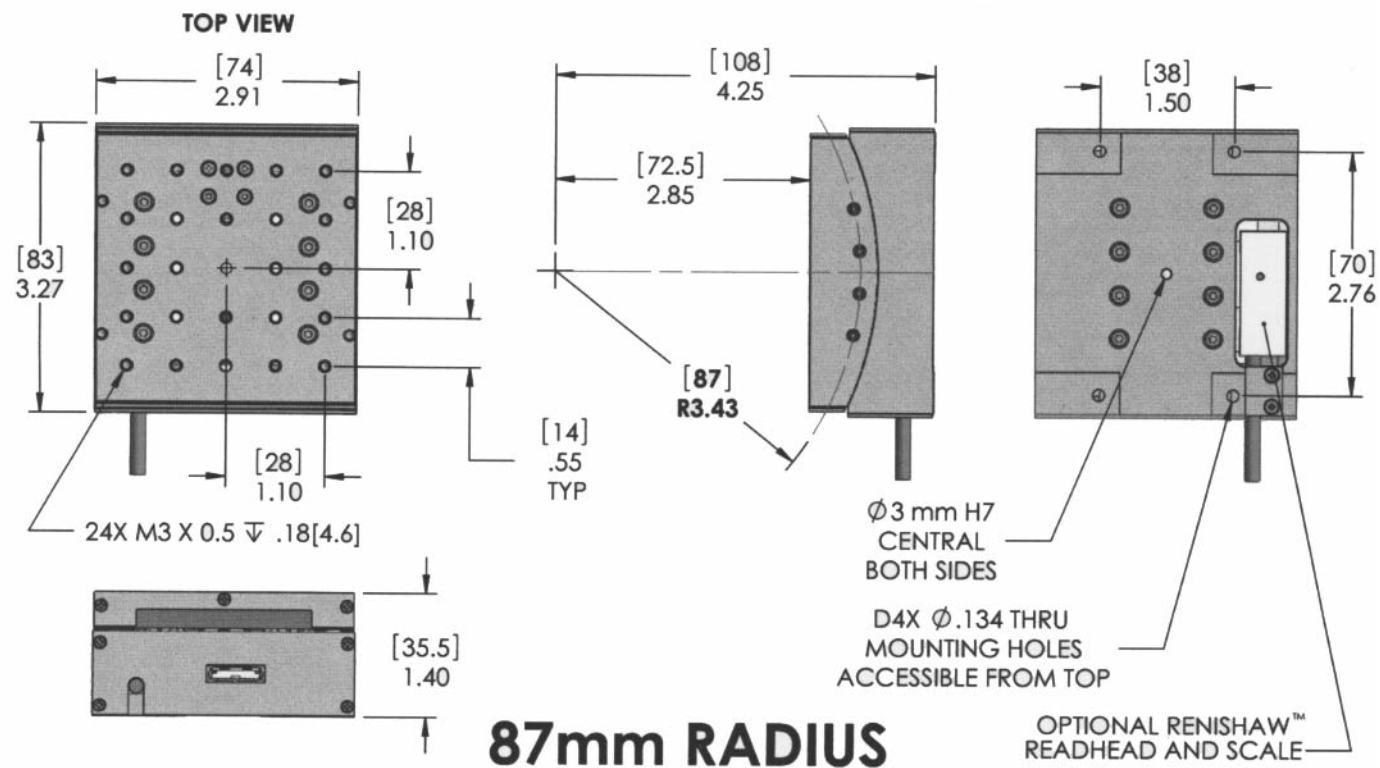
Specifications:

	MM-4M-G-87*	MM-4M-G-120*	Units
Repeatability	±2.5	±2.5	arc-sec
Accuracy	±5	±5	arc-sec
Backlash	<30	<30	arc-sec
Direct Top Load	6.8	6.8	kg
Gearhead Ratio	64:1	64:1	
Max Speed @4.5vdc no load	1.18	0.85	deg/sec
Encoder conversion	5.88084374826E-2	4.26361171757E-2	arc-sec/quad count
Gearhead backlash	6.28	4.55	arc-sec
Weight	0.463	0.488	kg
Vacuum compatibility	TBD	TBD	
Travel range	±5 Nom (4.7)	±5 Nom (4.7)	deg
Stage body dimensions	83x74x37	87x78x37	(LxWxH) mm
Motor	6mm diameter, 4.5vdc Servo, brush type		

*Optional linear encoder (R)

MM-4M-G-87/120 Motorized Goniometer +/- 5°

Dimensional Data

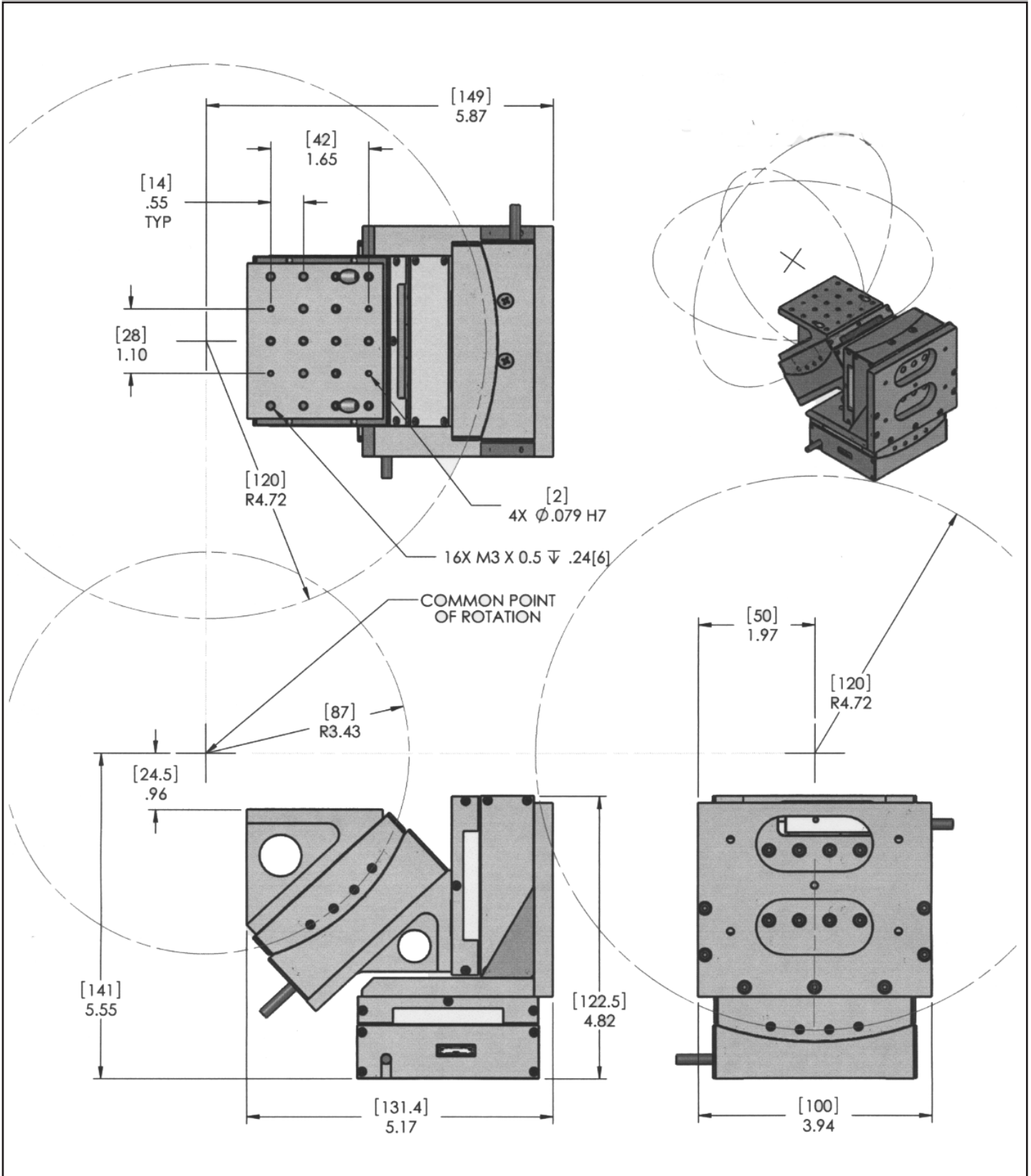


The information contained in this data sheet is subject to change without notice. Critical dimensions or specifications should be verified with our technical support staff.

National Aperture, Inc. - 16 Northwestern Dr. - Salem, N.H. 03079-4810 - Tel. (800) 360-4598 - (603) 893-7393 - FAX (603) 893-7857 - www.nationalaperture.com/www.naimotion.com

MM-4M-G-87/120/120
Dimensional Data

3-Axis Goniometer Stack
Common Point Rotation



The information contained in this data sheet is subject to change without notice. Critical dimensions or specifications should be verified with our technical support staff.

