

Constructible into **over 16 different configurations** (request 3 D Basic Construction Diagrams)

Specifications:

Wobble (max):	10 μ rad (2 arc-second) (no ball bearings)
Screw Pitch:	80 TPI
Sensitivity:	0.5 μ m
Backlash:	0
Load Capacity:	
Direct top or side load:	0.25 kg
Push:	0.05 kg
Retract ext-comp.:	See return force below
Tilt:	3.0 inch-ounce (210 gram-centimeter)
Twist:	1.5 inch-ounce (105 gram-centimeter)



Model No.	Travel	Runout (maximum)	Return Force (extension-compression)	Weight
MM-1	3.175mm	1.0 μ m	113 - 312g	3.0g
MM-1-CR	3.175mm	1.0 μ m	113 - 312g	4.0g
MM-1-EX	5.715mm	1.5 μ m	170 - 510g	2.5g

Dimensions:(L x W x H, not including lead screw extension)

Model No.	-X Single Stage	-XY (2-axis)	-XYZ (3-axis)
MM-1	26.2 x 11.2 x 5.1 (mm)	26.2 x 26.2 x 10.2 (mm)	26.2 x 26.2 x 36.3 (mm)
	1.03 x 0.44 x 0.20 (inch)	1.03 x 1.03 x 0.40 (inch)	1.03 x 1.03 x 1.43 (inch)
MM-1-CR	26.2 x 14.2 x 5.1 (mm)	26.2 x 26.2 x 10.2 (mm)	26.2 x 26.2 x 36.3 (mm)
	1.03 x 0.56 x 0.20 (inch)	1.03 x 1.03 x 0.40 (inch)	1.03 x 1.03 x 1.43 (inch)
MM-1-EX	26.2 x 11.2 x 5.1 (mm)	26.2 x 26.2 x 10.2 (mm)	
	1.03 x 0.44 x 0.20 (inch)	1.03 x 1.03 x 0.40 (inch)	

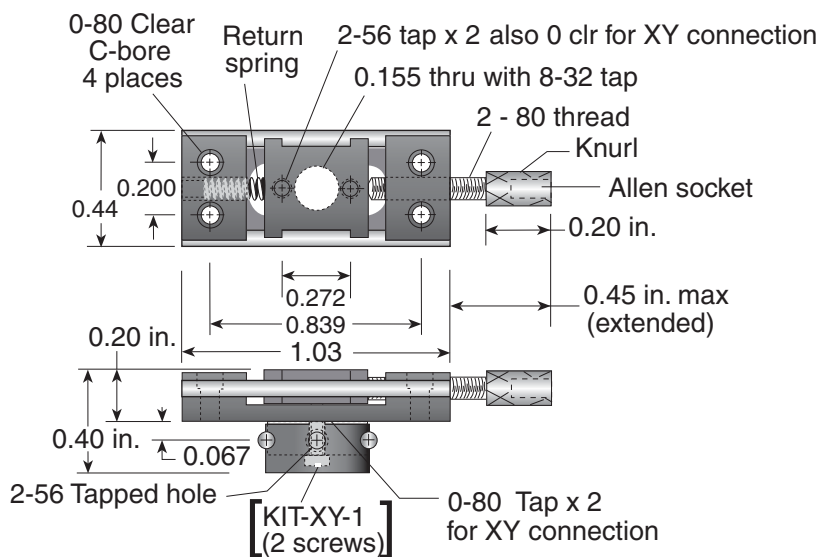
- XZ configurations available
- CR, -EX, and -090 versions may be combined
- Z axis must be a stage with Z connection enabled

The information contained in this data sheet is subject to change without notice. Critical dimensions or specifications should be verified with our technical support staff.

MM-1 Manual Stage

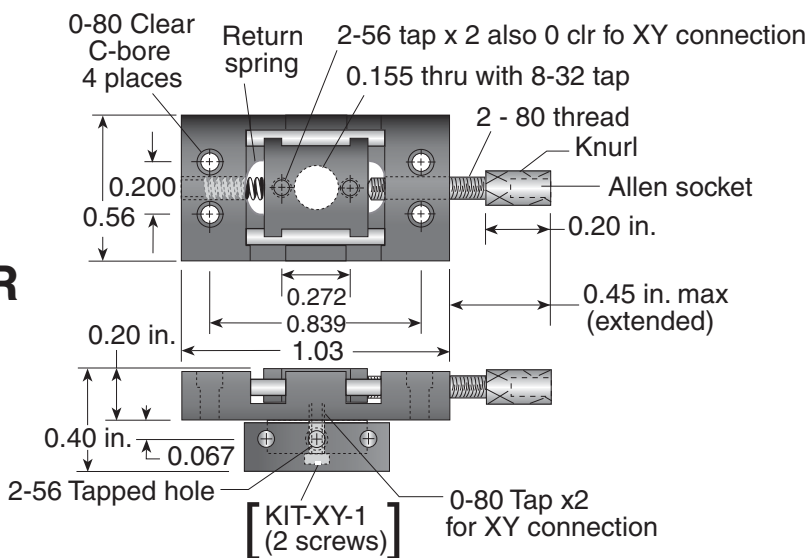
Dimensional Data

MM-1



Totally Metric Compatible

MM-1-CR



Totally Metric Compatible