

Specifications:

Wobble (max):	0.01 mrad
Screw Pitch:	80 TPI
Sensitivity:	0.5µm
Backlash:	0 (no ball bearings)
Load Capacity:	
Direct top or side load:	0.34 kg
Push:	1 kg
Retract ext-comp.:	See return force as specified below
Tilt:	6 inch-ounce (420 gram-centimeter)
Twist:	3 inch-ounce (210 gram-centimeter)



Model Number	Travel	Runout (maximum)	Return Force (extension-compression)	Weight
MM-3	0.5 inch (12.7mm)	1.5µm	6-20oz (170-567g)	16g
MM-3-CR	0.5 inch (12.7mm)	1.5µm	6-20oz (170-567g)	20g

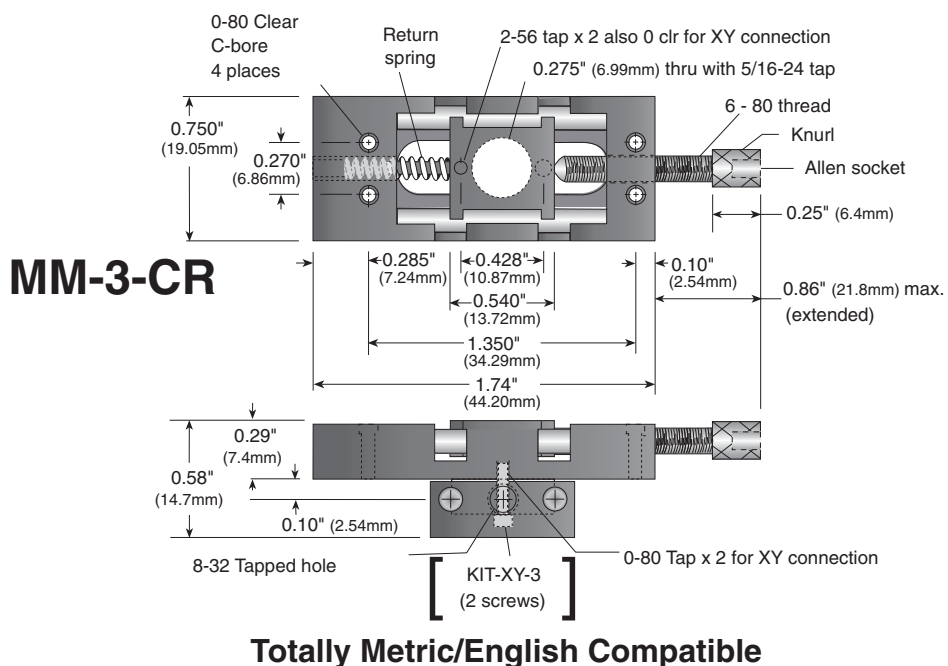
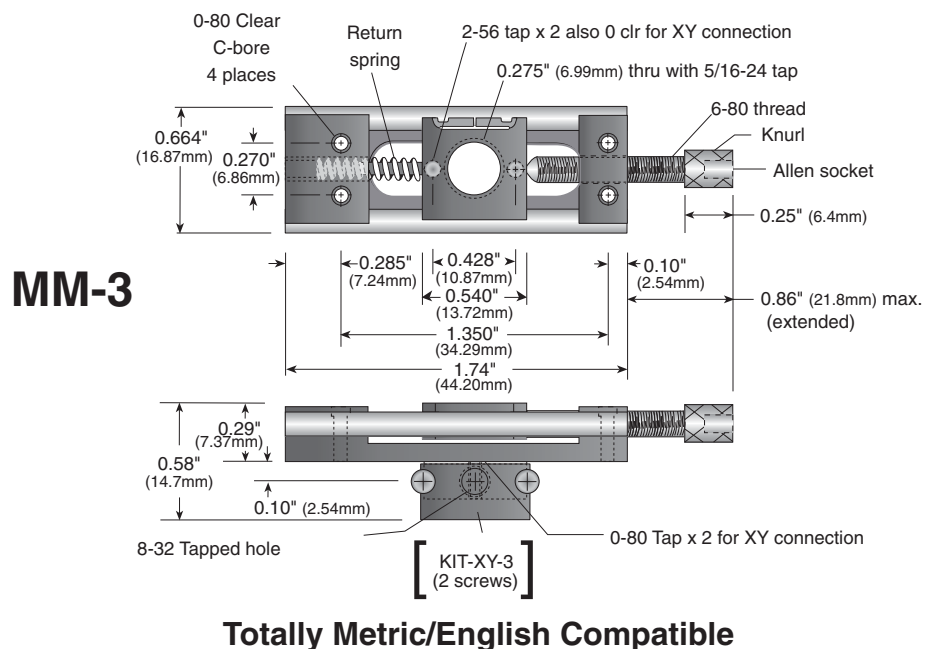
Dimensions:(L x W x H, not including lead screw extension)

Model No.	-X Single Stage	-XY (2-axis)	-XYZ (3-axis)
MM-3	44.2 x 16.8 x 7.4 (mm)	44.2 x 44.2 x 14.7 (mm)	44.2 x 44.2 x 58.9 (mm)
	1.74 x 0.66 x 0.29 (inch)	1.74 x 1.74 x 0.58 (inch)	1.74 x 1.74 x 2.32 (inch)
MM-3-CR	44.2 x 19.05 x 7.4 (mm)	44.2 x 44.2 x 14.7 (mm)	44.2 x 44.2 x 58.9 (mm)
	1.74 x 0.75 x 0.29 (inch)	1.74 x 1.74 x 0.58 (inch)	1.74 x 1.74 x 2.32 (inch)

- XZ configurations available
- Both Styles of MM-3 may be combined
- Compatible with all MM-3M motor stages
- **Fully metric compatible (all taps and clearance holes)**

MM-3 Manual Stage

Dimensional Data



The information contained in this data sheet is subject to change without notice. Critical dimensions or specifications should be verified with our technical support staff.