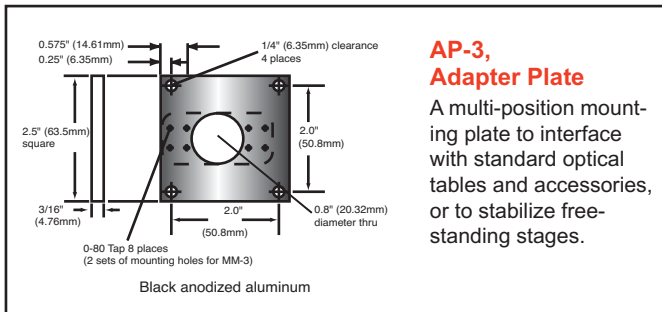


Accessories

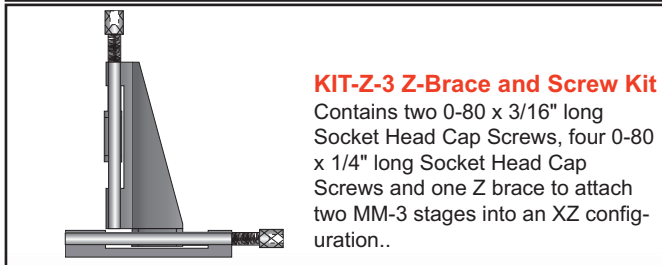
- AP-3 Adapter Plate
- KIT-XY-3 MM-1-XY connection screw kit.
- KIT-Z-3 MM-1-Z Connection with screws.
- OA-3 Objective Adapter
- PA-3 Pinhole Adapter
- SS-3 Headless Adjusting Screw
- TG-3 Thumb Grip
- ATK Assembly and Mounting Tool Kit
- JIG-XYZ-3 Alignment Fixture for 2-3 Axis System
- MM-3-MICROMETER . . . Micrometer Head



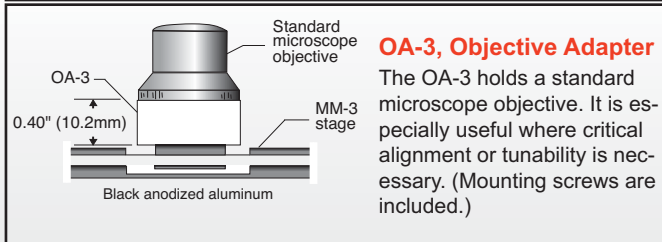
AP-3, Adapter Plate
A multi-position mounting plate to interface with standard optical tables and accessories, or to stabilize free-standing stages.



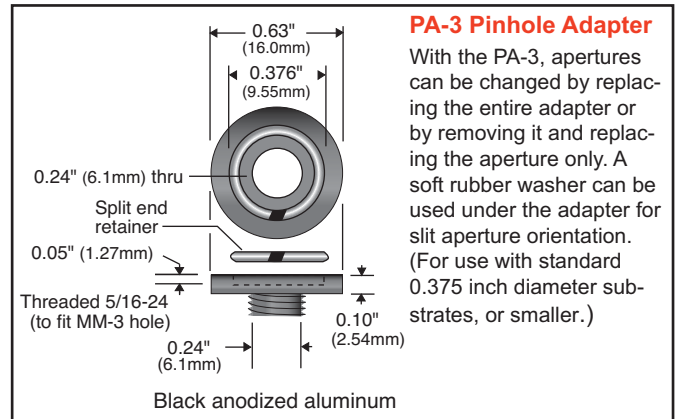
KIT-XY-3, Screw Kit
Utilizes 2 tap holes in slider as clearance for 0-80 connecting screws



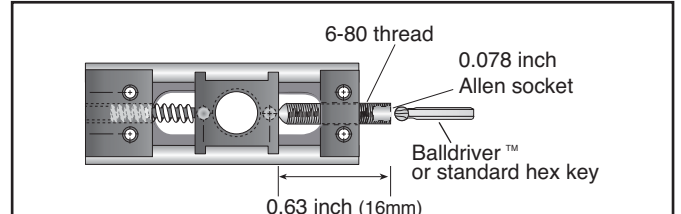
KIT-Z-3 Z-Brace and Screw Kit
Contains two 0-80 x 3/16\"



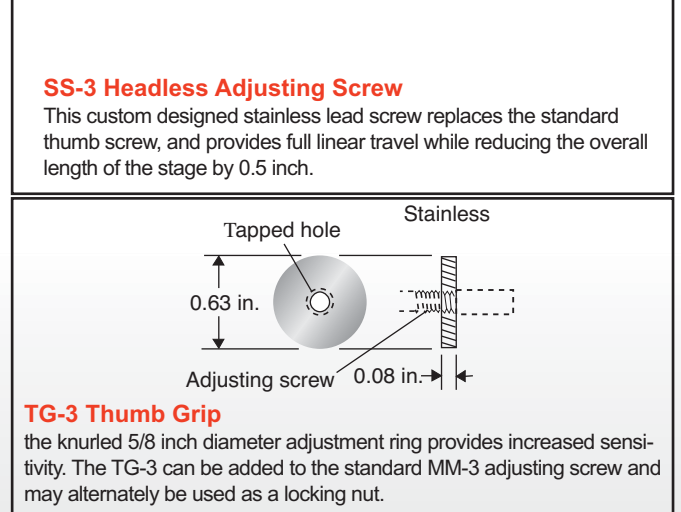
OA-3, Objective Adapter
The OA-3 holds a standard microscope objective. It is especially useful where critical alignment or tunability is necessary. (Mounting screws are included.)



PA-3 Pinhole Adapter
With the PA-3, apertures can be changed by replacing the entire adapter or by removing it and replacing the aperture only. A soft rubber washer can be used under the adapter for slit aperture orientation. (For use with standard 0.375 inch diameter substrates, or smaller.)



SS-3 Headless Adjusting Screw
This custom designed stainless lead screw replaces the standard thumb screw, and provides full linear travel while reducing the overall length of the stage by 0.5 inch.



TG-3 Thumb Grip
The knurled 5/8 inch diameter adjustment ring provides increased sensitivity. The TG-3 can be added to the standard MM-3 adjusting screw and may alternately be used as a locking nut.

The information contained in this data sheet is subject to change without notice. Critical dimensions or specifications should be verified with our technical support staff.