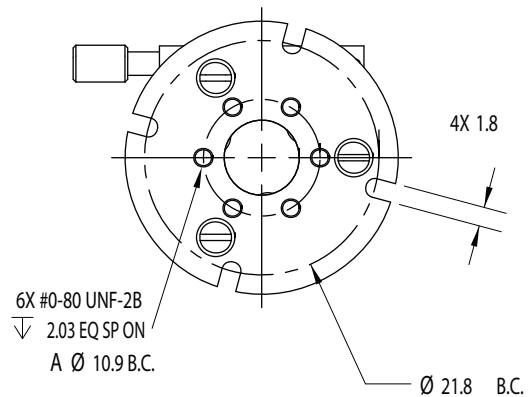
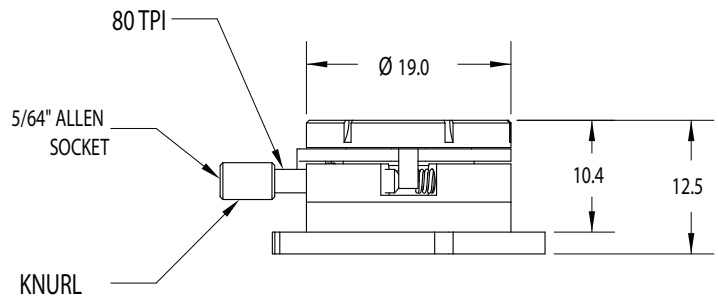
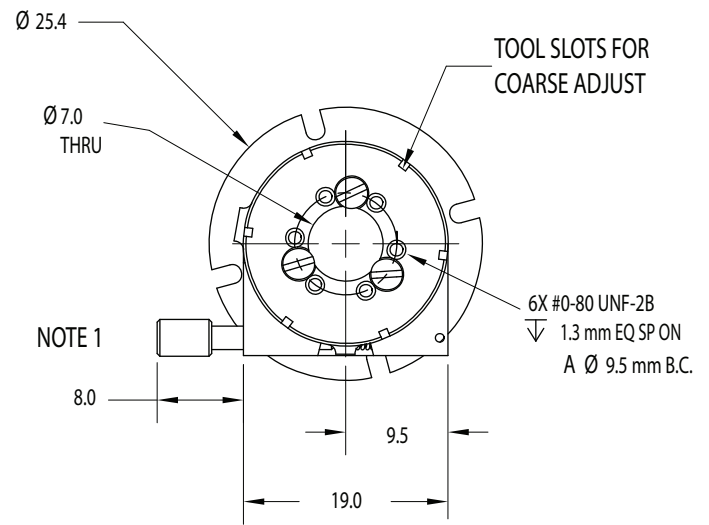
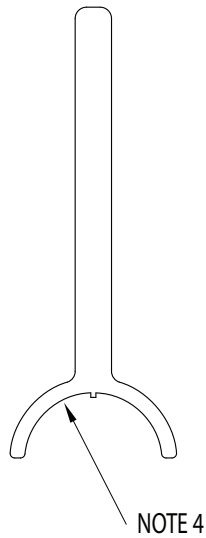


MM-1R (mm)



NOTES:

1. CENTER OF 2.5 mm TRAVEL, 0.2967 rad OF FINE POSITIONING, 2 μ rad OF COARSE POSITIONING.
2. OPTIONAL COARSE OVERRIDE TENSION THUMBWHEEL.
3. REMOVABLE BASE PLATE.
4. COARSE ADJUSTMENT TOOL INCLUDED.
5. TOP PLATE ADAPTER FOR 6X #0-80 ON A \varnothing 10.9 mm B.C. AND ACCEPTS PA-1 ADAPTER