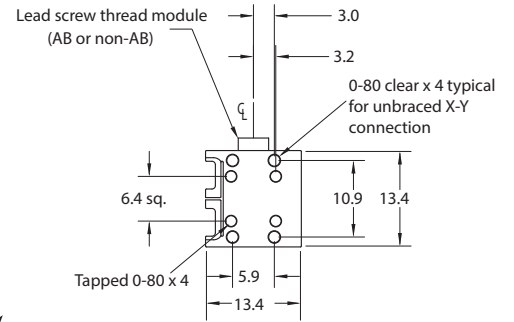


MM-3M-F (mm)



Slider detail

	T (Travel)	A	B	C	D (mm)
MM-3M-F-TR1	12.7	58.9	43.9	47.2	35.6
MM-3M-F-TR2	25.4	71.6	56.6	59.9	48.2
MM-3M-F-TR3	38.1	84.3	69.3	72.6	60.9
MM-3M-F-TR4	50.8	97.0	82.0	85.3	73.7
MM-3M-F-TR5	63.5	109.7	94.7	98.0	86.4

Note: Symmetry is applicable wherever implied

Note:
Single axis brace is essential where attachments are vulnerable to crash.